

UF-450AX Specifications

Display Unit	12-inch, High-Resolution, TFT LCD monitor	
Scanning methods	Electronic: Convex / Linear / Micro Convex	
Beam Former	Digital Beam Former	
System Dynamic Range	191dB	
Receiver Bandwidth	2.0 to 12MHz	
Probe Connection	2 active connectors	
Operation Mode	B mode, Dual B mode, Quad B mode, B/M mode, M mode	
Cine Memory	B-mode: max 1298 frames, M-mode: max 4 screens	
B-mode	Focus Method	Transmitting: max 3-focus zone Receiving: continuous dynamic focus
	Display Depth	2~24cm, 1cm / step variable (Probe dependent)
	Frequency	3 selections
	Tissue Harmonic Imaging	on / off, 3 selections
	Display Control	up/down, left/right, view angle (probe dependent)
M-mode	Display mode	Moving Bar
	Sweep Speed	4 steps (2,4,8,16sec/frame)
Image Control	GAIN	60~100dB, 1dB/step
	Dynamic Range	30~90dB, 5dB/step
	STC	6 sliders
	Echo Enhance	8 steps
	Frame Correlation	8 steps
	Post Process	8 steps (Gamma curves : editable)
	Noise Reduction	8 steps
	BL Filter	8 steps
	Color Scaling Image	off, 8 kinds
	BA Filter	8 steps
	Automatic adjustment	Easy Optim.
Zoom Control	Area Setting, ROI methods, Scan zoom / Read zoom,	
Measurements and Calculation	General, Cardiology, Vascular, Urologic, OB/GYN, Others	
Image Filing	Still image: USB flash-memory, Network (JPEG/BMP format)	
Network	Ethernet (100BASE-TX/1000BASE-T)	
Control Panel	2way backlight	
Trackball	1.4inch	
Battery Operation (option)	DC14.8V, 60 minutes	

General	Power (AC Adapter):	AC100 ~ 240V ± 10%, 50/60Hz, Output: DC24V, 6.3A
	Power Consumption:	167 VA or less
	External Dimensions:	W329 × D185 × H349mm (Including protrusions)
	Weight:	Approx. 6.9kg (w/o battery)

Optional Probes	● FUT-CS602-5AX	60R Convex	2-5MHz	Adult Abdominal, OB/GYN
	● FUT-CS505-8A	50R Convex	5-8MHz	Pediatric Abdominal
	● FUT-CS152-5A	15R Micro Convex	2-5MHz	Adult Cardiology
	● FUT-CS105-8A	10R Micro Convex	5-8MHz	Pediatric Cardiology
	● FUT-LS386-9A	45mm Linear	6-10MHz	Small Parts, Vascular
	● FUT-TVD114-7L	11R Endo-Cavity	4-7MHz	OB/GYN, Urology

Other Options Battery Pack BTE-002

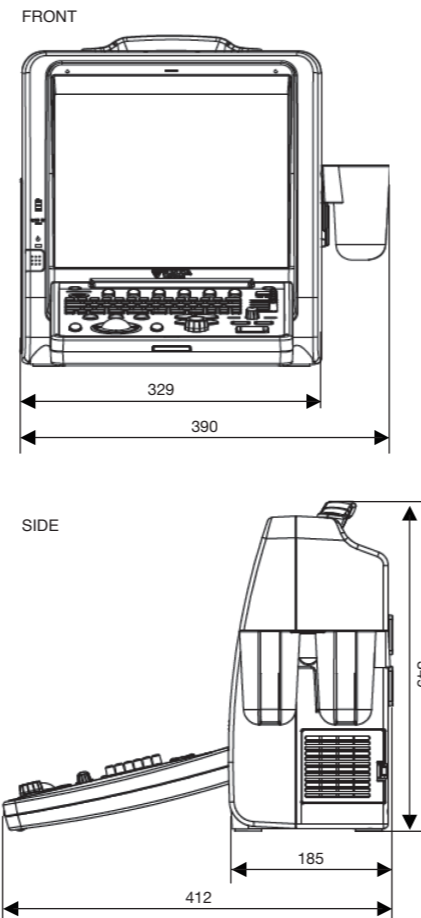
FUKUDA DENSHI reserves the right to change specifications without notice.



FUKUDA DENSHI CO., LTD.
39-4, Hongo 3-chome, Bunkyo-ku, Tokyo 113-8483, Japan
Tel: +81-3-5684-1455 Fax: +81-3-3814-1222
www.fukuda.com

Distributed by:

Dimensional drawing (unit: mm)



Diagnostic Ultrasound Imaging System

UF-450AX



FUKUDA DENSHI

Smart, Speedy, Simple is Best

Bettius

U F - 4 5 0 A X

Smart

A full digital system compressed into a compact and slim body. With its compact body, it can be used anywhere and also wherever with its battery operation (optional). Image data can be saved via USB or LAN. Indeed a very powerful portable system that will never let you down.



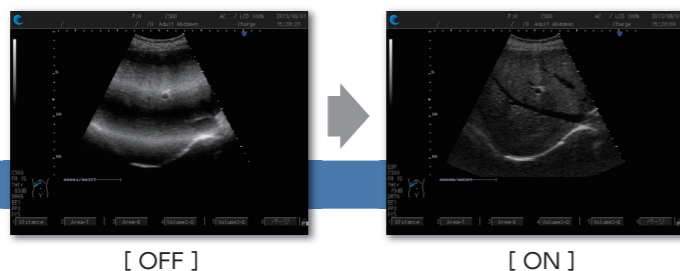
Digital B/W Portable Ultrasound System



Speedy

A fast boot up within 20 seconds, essential for emergencies. Moreover, with its Easy Optim function which optimizes automatically the gain and contrast, and also THI (Tissue Harmonic Imaging) by separating the second harmonics allowing to suppress the noise, provides a clear examination within a short time and efficiently.

One Touch Adjustment
Easy Optim.



Simple is Best

The panel layout has been re-designed in order to provide the best outline for the sonographer and also to provide a smooth examination workflow. All the functions and adjustment have been minimized in order for the sonographer to concentrate only on the patient.